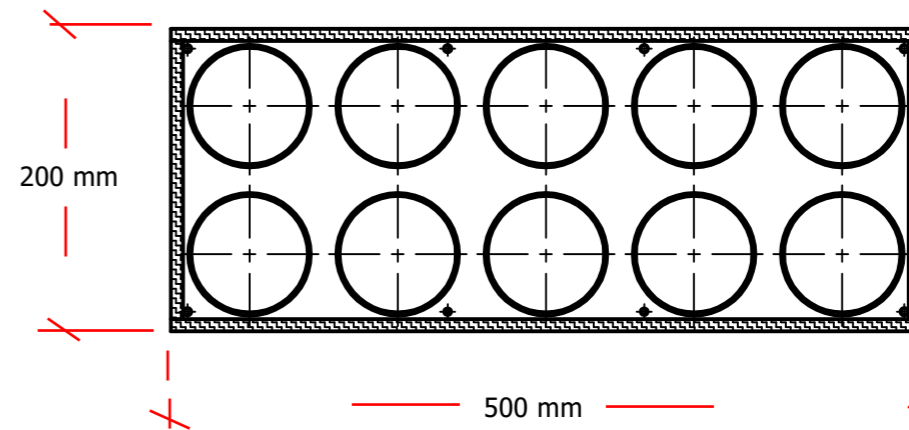
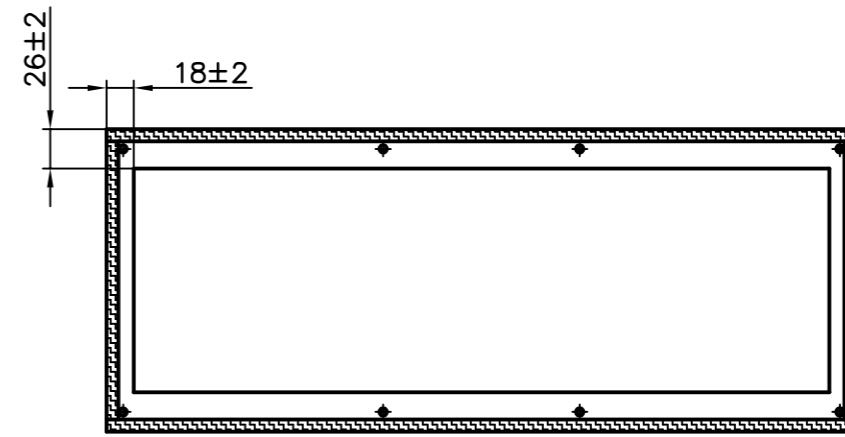
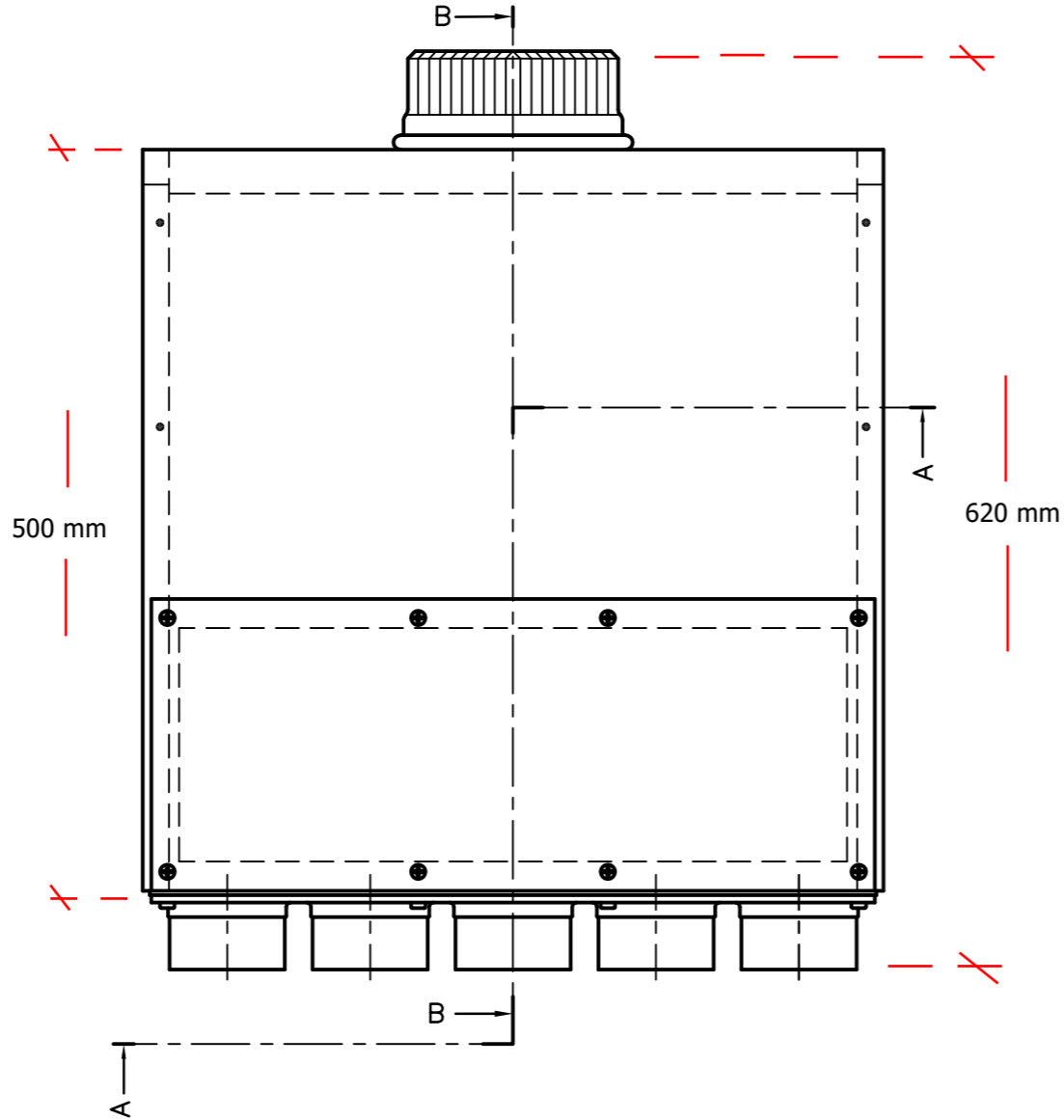
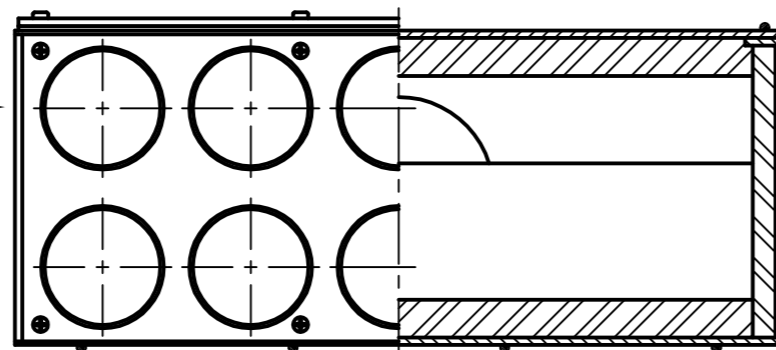


Aanzicht B-B



In bovenste rij aansluitmondjes
5 afdichtdoppen monteren



Aanzicht A-A



GEOMETRICAL TOLERANCES FOR FEATURES WITHOUT INDIVIDUAL TOLERANCES INDICATIONS: NEN-ISO 2768-K-E					Unit of measure: mm	Scale: 1:5	Format: A3
<small>Every modification has to be released by Brnk Climate Systems B.V. The passing of copies of these documents as well as the use and the announcement of the content is prohibited without written authority. Contravention against that leads to a claim for damages. All rights are reserved in case of giving a patent or sample registration. Every supplier is bounded to Inform Brnk Climate systems B.V. directly about modifications of the production processes or production location that will directly influence the product quality</small>							
Modifi- cation:	Mod. by	Mod. date	Description:				
-	-	-	-				
Name:						Material:	
						-	
Drawn:		B.G.	Article number:		Revision:		
Date:		06-09-12	613121		A		
Checked:							