

EPE mass flow ductwork



Insulated ductwork (125/150/160/180 mm)

1 | 2



Introduction **Haustechnik - Kommunaltechnik**

Insulating ducts in air distribution systems used for ventilation, heating or cooling is often required to minimise heat loss or prevent condensation on or in the duct. We have developed a complete range of well-insulated ducts, which are extremely easy to install and maintain. They are available in a large range of diameters and bends. Several accessories including terminals and airtight external duct seals complete the program.

There is a risk of condensation in or on ductwork if the air in the duct is colder than the ambient air (or vice versa). Therefore, it is very important to use insulated ductwork if such conditions could occur. The high insulation value of the EPE system, including the couplers, also reduces heat loss.



Features & benefits

- very well insulated and sound absorbing duct
- low pressure loss due to the very smooth inner surface
- light material, easy to cut, elastic and pliable, impact resistant (i. e. no dents)
- doesn't rust
- comes in duct lengths of 2.00 m
- insulated plastic roof terminals: light weight, strong and weather resistant
- mechanical connections (i. e. no tape required)
- easy to dismantle, which makes maintenance very easy
- compact, hardly visible coupling pieces

Specifications

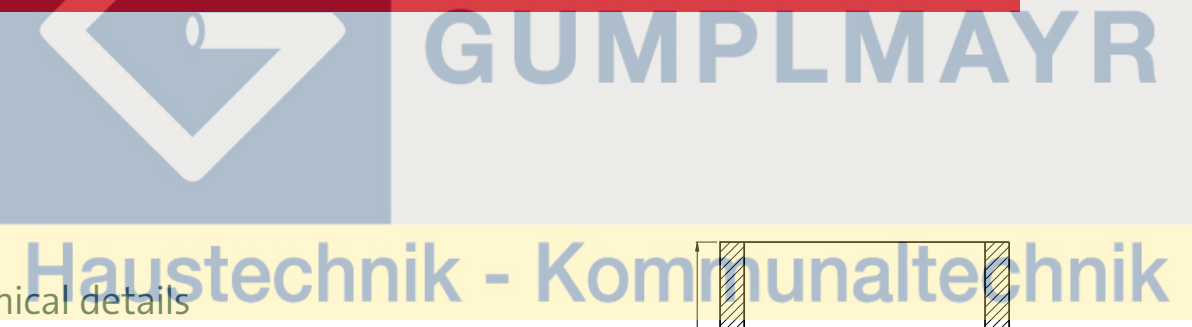
Material	EPE
Density	30 kg/m ³
Heat transfer coefficient	0.041 W/m.K (EN 12667)
Thermal resistance	R = 0.39 m ² K/W
Temperature range	Min. -30 °C Max. +60 °C
Wall thickness	16 mm
Fire class	B1 (EN 4102)
Reaction to fire	Class E (EN 13501)
Function	Transport of air for ventilation and/or heating and/or cooling
Airtightness	C (EN 12237:2003)
Material couplers and brackets	PP
Material Y-piece	EPP

EPE mass flow ductwork



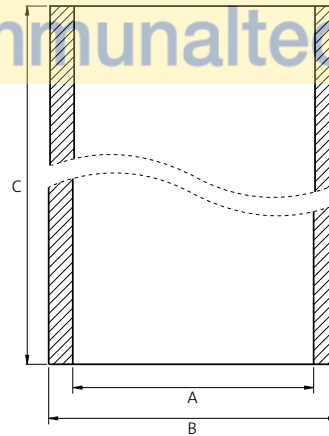
Insulated ductwork (125/150/160/180 mm)

2 | 2



Technical details

Dimensions	125	150	160	180
A [mm]	125	150	160	180
B [mm]	157	182	192	212
C [mm]	2.000	2.000	2.000	2.000
m [kg]	0,48	0,56	0,53	0,67



Diameter [mm]	125	150	160	180
Qv (Volume) [m³/h]				
ΔP (Pressure loss) [Pa]				
100	1,0	1,0	1,0	1,0
200	2,7	1,1	1,0	1,0
300	6,1	2,5	1,8	1,0
400	10,8	4,5	3,1	1,6
500	16,9	7,0	4,9	2,5
600	24,3	10,1	7,0	3,6

Diameter [mm]	125	150	160	180
Qv (Volume) [m³/h]				
V (Velocity) [m/s]				
100	2,3	1,6	1,4	1,1
200	4,5	3,1	2,8	2,2
300	6,8	4,7	4,1	3,3
400	9,1	6,3	5,5	4,4
500	11,3	7,9	6,9	5,5
600	13,6	9,4	8,3	6,5

